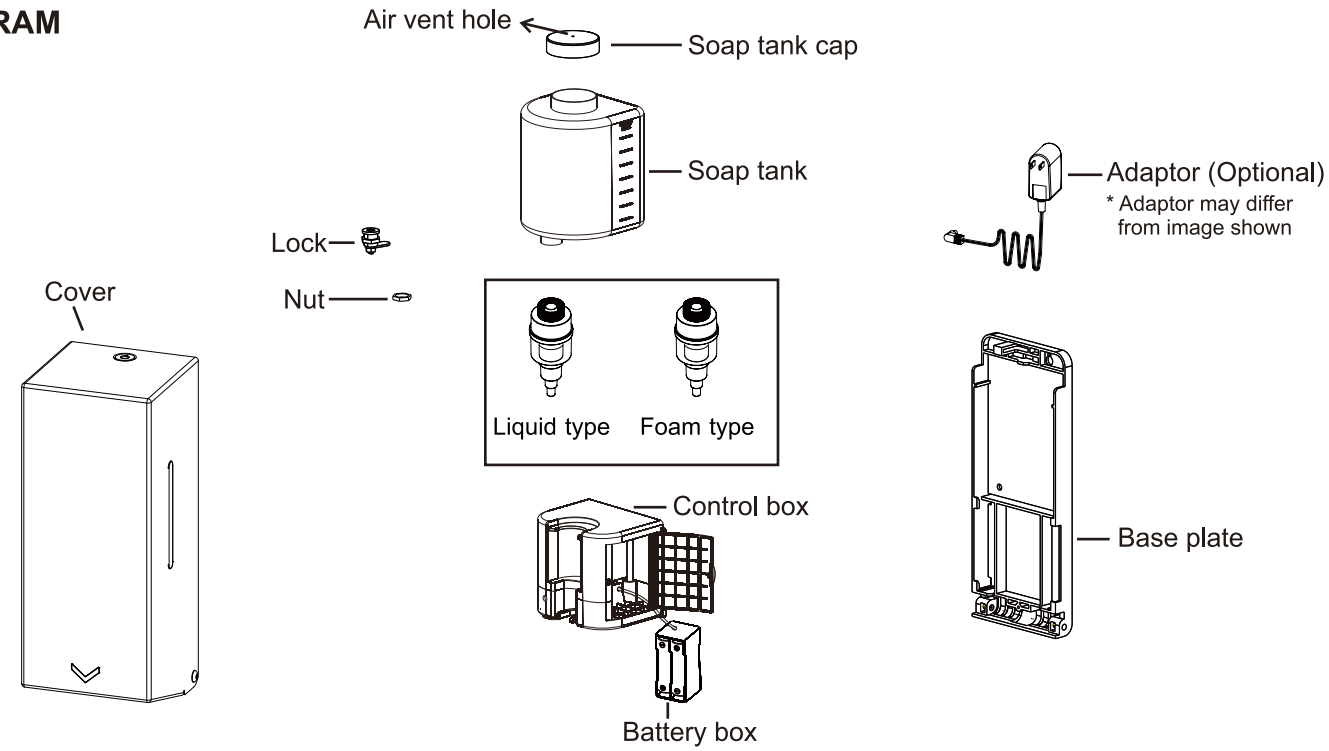


## 7. DIAGRAM



### kit

- |                           |  |
|---------------------------|--|
| 1. Key x 1                |  |
| 2. Plastic Anchor x 4     |  |
| 3. Mounting Screw x 4     |  |
| 4. Mounting Template x 1  |  |
| 5. Self-adhesive Tape x 3 |  |

## 8. TROUBLESHOOTING

Problem Symptom	Solution Diagnostic
No Soap comes out:	Check soap level in the soap tank.
	Check if sensor is blocked by dirt or any particle.
	Check soap pump and soap tank cap for clogs.
	DC : Check battery charge level. AC : Check if AC adaptor is plugged in properly.
LED indicator flashing	Replace batteries.
Low volume soap dispensed	Remove soap container and wash out soap pump and soap tank cap and replace with fresh new soap.
Leaking at the bottom of dispenser cover:	Check if soap pump is properly threaded to soap tank or if soap tank is damaged or punctured.

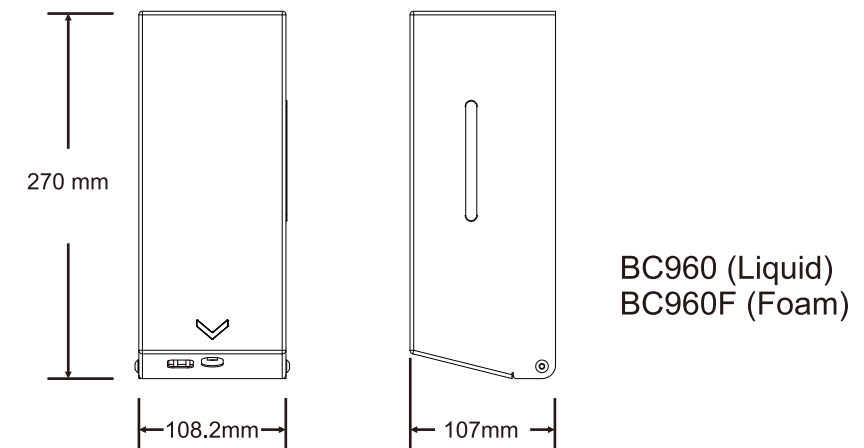


# Auto Multi-Function Dispenser

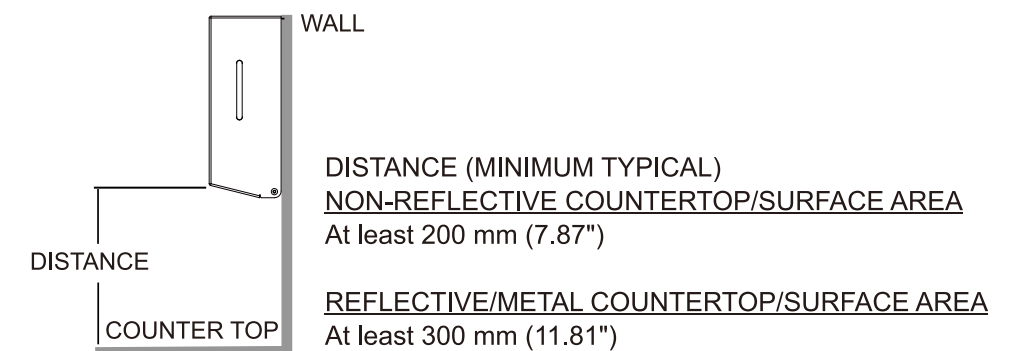
## Instructions for Installation

### 1. SPECIFICATIONS

- |                             |  |
|-----------------------------|--|
| • Adaptor Required          | Input: 100-240 VAC, Output: DC 6V (Optional)                                   |
| • Battery Type Required     | Alkaline (1.5V) AA size, Qty 4   |
| • Battery Life Estimated    | 25,000 cycles or 1 year  |
| • Soap Pump Life Estimated  | 100,000 cycles   |
| • Detection Range Automatic | Auto-detecting. Default setting: 75 mm ± 15 mm (2.95" ± 0.59")                 |
| • Room Temperature          | 5-40 °C (41-104 °F)  |
| • Dispensing Volume         | Liquid: 0.8-1.1 ml (0.027-0.037 fl oz)<br>Foam: 0.7-1.0 ml (0.023-0.033 fl oz) |
| • Viscosity                 | Liquid: 1-3000 cps (mPa.s)<br>Foam: 1-5 cps (mPa.s), Foaming soap only         |
| • Cover Type                | #304 Stainless steel   |
| • Soap Tank Capacity        | 800 ml (27 fl oz)  |
| • Unit Net Weight empty     | 1.0 kg (2.2 lbs)   |

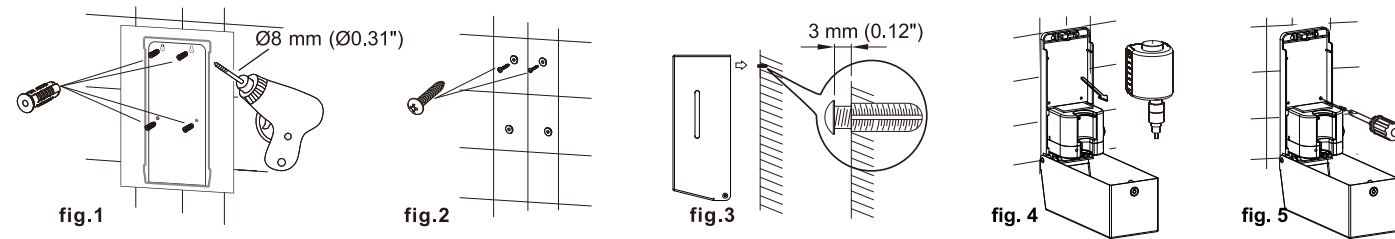


### 2. RECOMMENDED INSTALLATION



### 3.1 INSTALLATION STEPS, Tile or Dry Wall

1. Tape the installation template at the appropriate location on the mounting surface.
2. Drill four (4) holes with Ø8 mm (Ø0.31") diameter at marked locations.
3. Insert four (4) plastic anchors (supplied) into drilled holes; remove template (fig.1).
4. Insert two (2) screws (supplied) into top plastic anchors and leave 3 mm (0.12") space from the wall under head (fig.2 and fig.3) for hanging dispenser.
5. Hang the dispenser on the two (2) screws through the keyhole slots at backplate top.
6. Use key to unlock and pull forward the housing cover (fig.4).
7. Remove soap reservoir and lock dispenser to wall with remaining two (2) screws (supplied) through the holes at backplate bottom. Tighten all screws (fig.5).

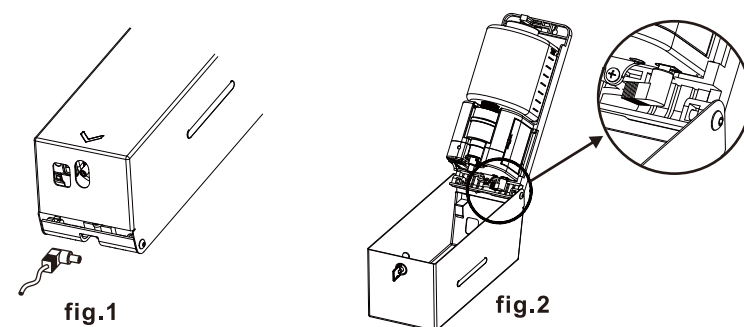


### 3.2 INSTALLATION STEPS, Adhesive on Mirror

1. Clean mounting surface in area to be installed with isopropyl alcohol.
2. Mark outline of dispenser on mirror with masking tape.
3. Remove paper liners from self-adhesive pads on dispenser backplate.
4. Place unit on mounting surface with even steady pressure and hold for 1 minute.
5. Let tape cure for 24 hours prior to filling dispenser with soap for use.

### 4.1 OPERATION INSTRUCTIONS(AC) (Optional)

1. Open dispenser cover with included key.
2. Take the AC adaptor plug through the hole of baseplate (fig.1) and connect the DC jack (fig.2).
3. Remove, clean out and refill the included soap tank with the correct soap type according to the type of soap pump used. Ensure the soap tank cap is closed, air vent hole is open, soap pump is not clogged, and soap tank is not leaking before installing back in the dispenser.
4. Close the cover and lock it with the included key.
5. Plug in to the power source.
6. Do not place hand under the sensor while the LED light is flashing blue for four (4) times as it is detecting the environment automatically. If there is no object under the dispenser, the default sensing distance is 6-9 cm. If there is an object (such as a basin or counter) near the bottom of the dispenser, the sensor will detect the installation height to set a suitable sensing distance automatically.
7. Trigger the sensor with hands to check proper soap dispensing cycle.

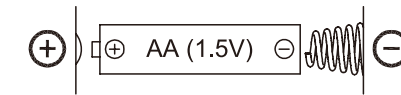


### 4.2 OPERATION INSTRUCTIONS(DC)

1. Open the dispenser cover with the included key.
2. Open the cover of the battery compartment. Unplug the wire leads to take out the battery box; install four (4) new Alkaline Type AA 1.5V batteries with correct polarity (note the +/- indication) to obtain 6V DC power.
3. Reinstall battery box and close the compartment cover.
4. Close the cover and lock it with the included key.
5. Do not place hand under the sensor while the LED light is flashing blue for four (4) times as it is detecting the environment automatically. If there is no object under the dispenser, the default sensing distance is 6-9 cm. If there is an object (such as a basin or counter) near the bottom of the dispenser, the sensor will detect the installation height to set a suitable sensing distance automatically.
6. Trigger the sensor with hands to check proper soap dispensing cycle.

### 5. BATTERY LOW INDICATION(DC)

In normal stand-by condition, if the LED light continues to flash blue, please replace batteries.



Caution : Batteries installed with incorrect polarity may cause malfunction.

### 6. IMPORTANT NOTICE

1. Ensure no bright source is aimed or reflected at the sensor from below.
2. Clean the soap tank properly before each refill. Use brand new soap or sanitizer only, deposits of old soap will lead to malfunction and clogging.
3. For foam pump, use foaming soap only. Make sure to check the instruction of the foaming soap to confirm if diluting is needed. For liquid soap pump, do not dilute liquid soap and do not use soap containing abrasive/scrub. For spray pump, use only sanitizer/ethanol alcohol with water-like viscosity (cps = 1).
4. Do not immerse the soap dispenser in water or clean it under running water. This will lead to short circuit.
5. Should the dispenser be out of order and batteries have been replaced, do not attempt any repair work. Call your dealer for professional assistance.
6. Three different types of soap pump can be installed in the same dispenser. When changing to a different type of soap pump, it's better to use a separate soap tank for each type of soap pump. If the same soap tank is to be used for different types of soap pump, clean the soap tank thoroughly to ensure no residual soap from previous use remains in the tank. The soap pump may be jammed when the wrong type of soap is used.
7. Insert and press down on the key to lock or unlock the cover. Without pressing down on the key, the lock may become misaligned and out of order.

