

BC27-2SCA

DOLPHIN RECESSED HIGH SPEED HAND DRYER

MAINTENANCE INSTRUCTIONS



Please read carefully before use.

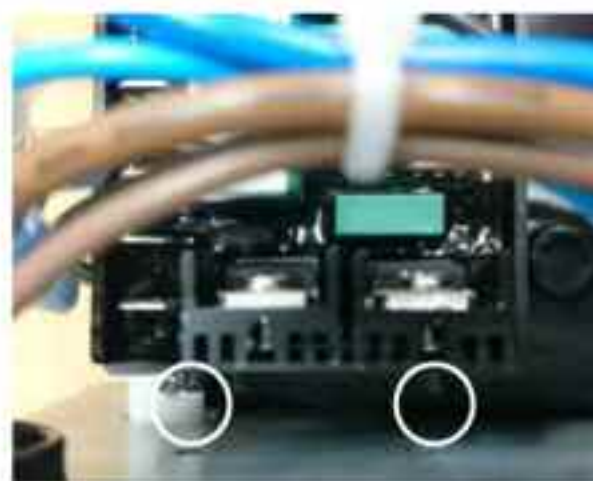
January 2021

D
DOLPHIN
VELOCITY

Timer replacement



1. Pull off the six wires and remove the fixing screws of the timer.



2. Ensure that the two flanges on the timer to be wedged in the two holes are on the base plate.
3. Fix the timer to the blower and connect the four wires to the timer as the photos of procedure 1.

Sensor replacement



1. Pull off the wires that connect timer and remove the fixing screws of the timer.
2. Fix the sensor on the sensor bracket as in the photos of procedure 1, and plug the wires on the timer.



3. Remove the screws from the sensor bracket to take out the sensor.

Sensor replacement



4. Remove the black screws on the sensor. Install the new sensor and reverse Steps 1~3 to fasten the sensor.

Motor replacement



1. Remove the wires that connect motor to the timer.



2. Loosen the fixing screws of the blower and remove the blower housing.

Motor replacement



3. Remove and retain both motor rubbers on the top and at the bottom. Place the two motor rubbers on the new motor. Reverse Steps 1 and 2 to place the new motor firmly in the motor housing.



4. To replace the motor, install the motor rubber (large/small) on the motor, and place the motor under the fan blower. The wire set must be fixed to the ditch in the lower housing of the blower.

Heater replacement



1. Remove the wires that connect heater to the timer.



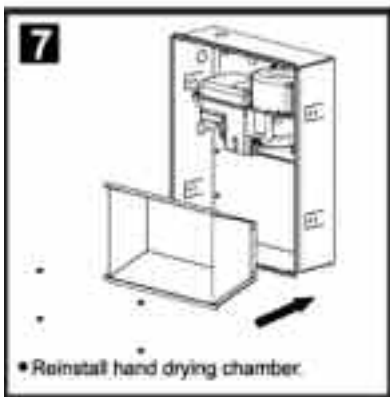
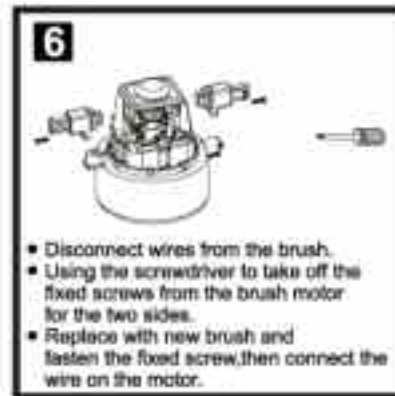
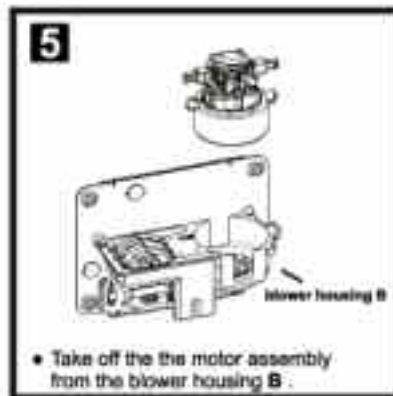
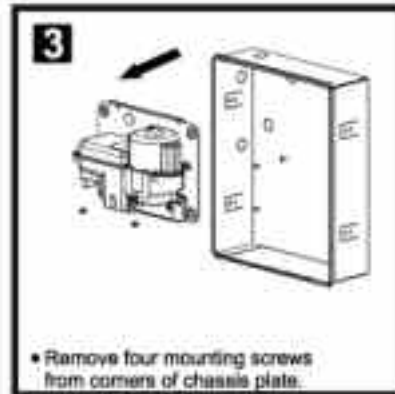
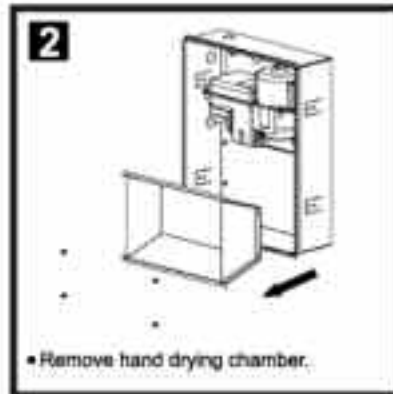
2. Loosen the fixing screws of the blower and remove the blower housing.

Heater replacement



3. To replace the heater, the wire set must be fixed to the ditch in the lower housing of the blower.

Brushes replacement



THIS UNIT MUST BE FITTED AND SERVICED BY SUITABLY QUALIFIED PERSONNEL

Tools Required



- Philips Screwdriver
- Slotted Screwdriver
- Wire Cutter
- Modular Crimping Cuts Tool

Important Information

This Product falls within the scope of the Waste Electrical & Electronic Equipment Directive 2012/19/EU. (WEEE)



NOTE:

This Product should not be disposed of with household waste
Please recycle where facilities exist.
Check with your local authority for recycling advice.

Troubleshooting

| Symptom | Corrective Actions for Initial Installation Failures |
|--|--|
| If the dryer will not run | First ensure that the breaker supplying the dryer is operational. If it is, disconnect the power and remove the dryer cover. Taking suitable precautions to avoid shock hazard, reconnect the power and check for Voltage at the terminal block. Verify that connections are made correctly. |
| The dryer cycles by itself or runs constantly | Ensure that there is no obstruction on or in front of the IR sensor. Clean any dirt or debris off the sensor lens. If problem persists, replace sensor and CBM. |
| The dryer makes a loud noise and does not run for a complete cycle | Ensure that the supply Voltage is correct. Dryer will make a loud humming noise if the input Voltage is too high. Verify Voltage requirement on unit rating label and correct supply as required. If CBM has been damaged, replace CBM, IR sensor module and VR component and cable. |
| The dryer runs but air stream is low pressure and/or low velocity | Ensure that the supply Voltage is correct. Dryer will run weakly if the input Voltage is too low. Verify Voltage requirement on unit rating label and correct supply as required. |

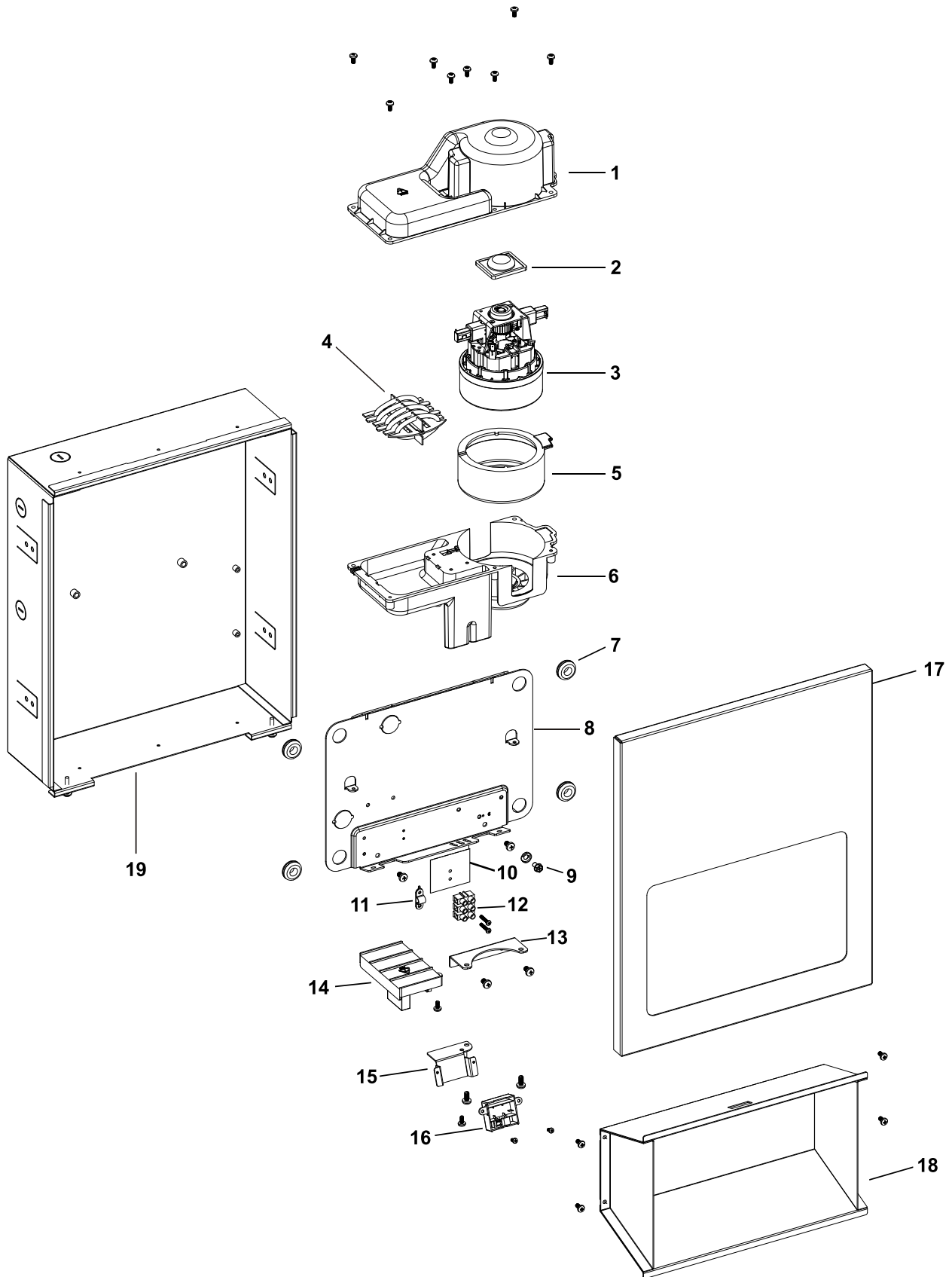
| Symptom | Corrective Actions for In-Service Failures |
|---|---|
| If the dryer will not run | First ensure that the breaker supplying the dryer is operational. If it is, disconnect the power and remove the dryer cover. Replace the CBM and IR sensor module. Taking suitable precautions to avoid shock hazard, reconnect the power and check for Voltage at the terminal block. |
| The IR sensor only "sees" close range objects | Ensure that there is no obstruction on or in front of the IR sensor. Clean any dirt or debris off the sensor lens. If problem persists, replace sensor and CBM. |
| The heater gets hot but no air stream is produced | Disconnect the power. Remove the dryer cover and disassemble the blower-motor/fan housing. Replace the fan motor. |
| The dryer only blows cold air during a full cycle | Disconnect the power. Remove the dryer cover and disassemble the blower-motor/fan housing. Test the thermostat for open circuit. Check the heater element for signs of burning or breakage. Damaged element must be replaced. |
| The air stream is low pressure and velocity | Check the output nozzle for obstructions. If none are present, disconnect the power. Remove the dryer cover. Remove any dust/lint buildup from intake vent slots. Disassemble the blower-motor/fan housing. Check the motor brushes for worn condition ($\leq 25/64$ " [10 mm] graphite remains) and replace them, if necessary. |

Warranty

Limited 3 year warranty

Please see our website or contact us on 01424 202224 for more details.

Parts Diagram



Parts list

| Key | Description |
|-----|---------------------------------|
| 1 | Blower housing - Upper |
| 2 | Motor rubber - Small |
| 3 | Motor |
| 4 | Heater element |
| 5 | Motor rubber - Large |
| 6 | Blower housing - Below |
| 7 | Rubber grommet - Base |
| 8 | Base plate |
| 9 | Grounding screw with cup washer |
| 10 | Insulation Mylar |
| 11 | Nylon cable clamp |
| 12 | Terminal block |
| 13 | Blower mounting bracket |
| 14 | Circuit Board Module |
| 15 | Sensor bracket |
| 16 | Sensor module |
| 17 | Enclosure (Casing) |
| 18 | Dry hand chamber |
| 19 | Recessed box |

Dolphin Solutions Ltd

Southpoint, Compass Park, Bodiam, Robertsbridge TN32 5BS

Tel: 01424 202224

Fax: 01424 205200

www.dolphinsolutions.co.uk

info@dolphinsolutions.co.uk

