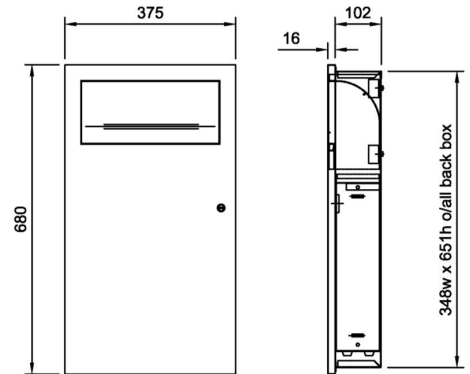




Model shown 09.3006.2



09.3006

DOLPHIN RECESSED WASTE BIN – BESPOKE FINISH

- > Recessed, satin stainless steel, waste paper bin with removable 10 litre capacity bin and stainless steel back box.
- > Usage: Low Traffic Areas
- > Satin stainless steel finish
- > Available with glass, acrylic or corian fascias

WIDTH	375 MM
HEIGHT	680 MM
PROJECTION	16 MM

SPECIFICATION

Recess mounted waste paper bin. Model number 09._____ with flush mounted lock, vertically brushed satin finish stainless steel door; waste chute and stainless steel back box and bin. Manufactured by Dolphin Solutions Ltd.

PRODUCT CODES

> Stainless steel	09.3006
> Toughened glass	09.3006.1
> Coloured acrylic	09.3006.2
> Coloured corian	09.3006.3
> Surface mounted	09.3406



09.3006



09.3006.1



09.3006.3

MATERIAL

- › Door: 1.2mm satin finish stainless steel grade 1.4301 (304) to BS EN 10088-1
- › Bin chute: 0.7mm satin finish stainless steel grade 1.4301 (304) to BS EN 10088-1
- › Bin: 0.7mm stainless steel grade 1.4301 (304) to BS EN 10088-1
- › Back box: 0.9mm stainless steel grade 1.4301 (304) to BS EN 10088-1
- › Approximate unit weight: 9.8kg

CAPACITY

Standard: 10 litres

OPERATION

- › The bin can be accessed opening door with key supplied.
- › Emptying of bin: Open door, slide bin forward and remove from guide rails, fit suitable bin liner. Push bin back over slide rails into back box void and shut door.

INSTALLATION

- › Recommended wall opening of 360w x 665h x 112d
- › Recommended mounting height from underside of unit to FFL 315mm (Male Toilet).
- › Open door with key provided
- › Position the unit into the prepared wall recess allowing a 6mm clearance all round for packing and adjustment
- › Fit temporary screws into the rectangular slots on the side walls (Do not over tighten, to allow for horizontal adjustment)
- › Fix casing to studwork using suitable screws (Fixing holes Ø6.5mm) and remove temporary screws from slots
- › Lock front cover

CARE AND MAINTENANCE

- › Clean with soap and warm water; dry with a clean soft cloth.
- › To maintain finish use any industrial steel cleaner; polishing along the material grain with a clean soft cloth.
- › Dolphin Solutions Ltd recommends "Steel Clean" cleaning agent, obtainable from: Vitopan (Tel: 01204 863000)
- › Never Use Corrosives - such as bleach or other cleaning products containing hypochlorite;
- › Any form of acid solution or industrial cleaning solution; Bathroom cleaning products, developer liquids, concentrated disinfectants, strong alkalis or caustic soda;
- › Never Use Abrasives - such as wire wool; scouring pads;
- › Caution - Never use dirty or grit contaminated cleaning sponges or cloths

WARRANTY

This product is covered by a 12-month warranty from the date of purchase to be free from defects if installed and maintained in accordance with these instructions. Dolphin Solutions will replace or repair (as appropriate) free of charge any product with a proven manufacturing defect if reported within the warranty period.

Dolphin Solutions Ltd reserves the right to amend the design or dimensions without formal notice.