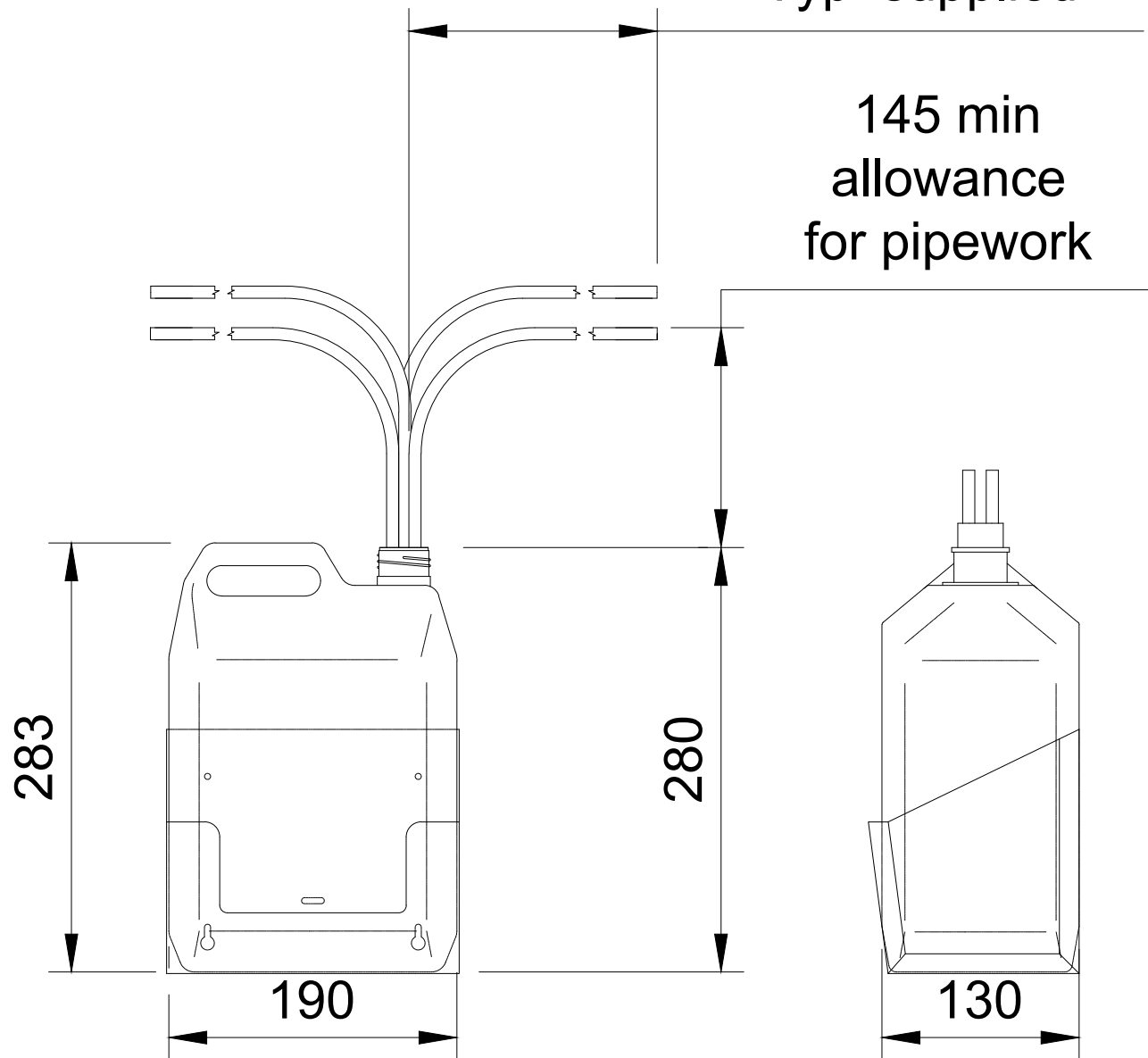


2 Metres
Typ. supplied

145 min
allowance
for pipework



DOLPHIN SOLUTIONS LIMITED
DOLPHIN MULTI-FEED SYSTEM AND CRADLE
BC1900MA/MB + WP1900-CRADLE + BC637

